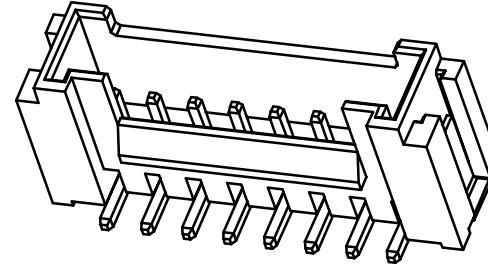
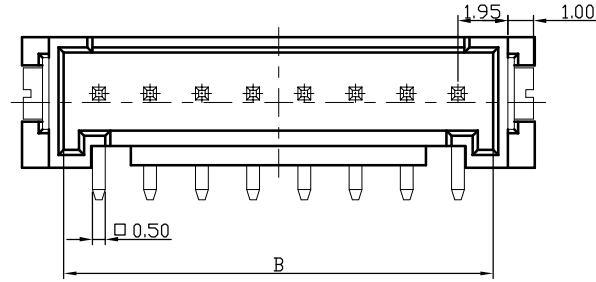
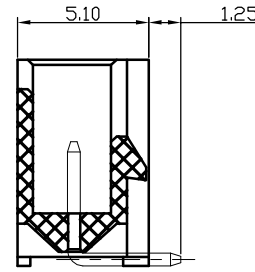
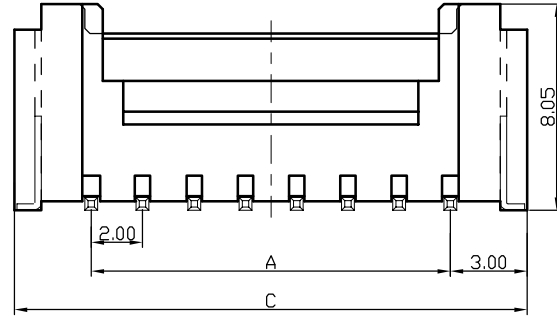
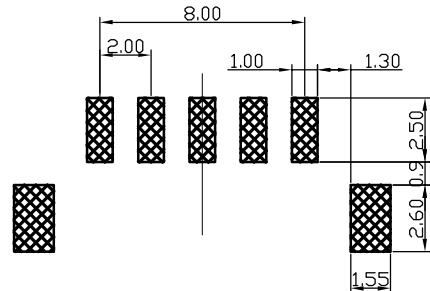


Specifications:

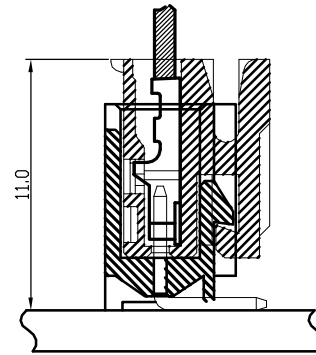
Housing: LCP UL94-V0 Color: Nature
 Contact: Phosphor Bronze
 Operating Voltage: 250V AC/DC
 Current Rating: 2A AC/DC
 Withstand Voltage: 800V AC/Minute
 Contact Resistance: $\leq 30\text{m}\Omega$
 Insulation resistance: $\geq 500\text{m}\Omega$
 Operating Temperature: $-25^{\circ}\text{C} \sim +85^{\circ}\text{C}$



PIN	A	B	C
2	2.0	4.75	8.0
3	4.0	6.75	10.0
4	6.0	8.75	12.0
5	8.0	10.75	14.0
6	10.0	12.75	16.0
7	12.0	14.75	18.0
8	14.0	16.75	20.0
9	16.0	18.75	22.0
10	18.0	20.75	24.0
11	20.0	22.75	26.0
12	22.0	24.75	28.0
13	24.0	26.75	30.0
14	26.0	28.75	32.0
15	28.0	30.75	34.0
16	30.0	32.75	36.0



PCB Recommended Layout



PHB Receptacle + PHB Header

一般公差 TOLERANCES X. ± 0.40 .XX ± 0.20 .X ± 0.30 .XXX ± 0.10 ANGLES $\pm 2^{\circ}$			深圳市宏利电子有限公司 Shenzhen Holy Electronic Co.,Ltd		
检验尺寸标示 SYMBOLS \odot \ominus INDICATE CLASSIFICATION DIMENSION		工程 图号 HY20LB-nP	制图 (DR) *15/5/16 审核 (CHKD)		
MARK IS CRITICAL DIM. MARK IS MAJOR DIM.		品名 HY2.0mm - nP 立贴带扣	核准 (APPD) Rigo Lu		
表面处理 (FINISH)		比例 (SCALE) 1:1	单位 (UNITS) mm	张数 (SHEET) 1 OF 1	尺寸 (SIZE) A4
修订 REV	修改摘要 REVISION DESCRIPTION	日期 DATE	签名 SIGNATURE		
