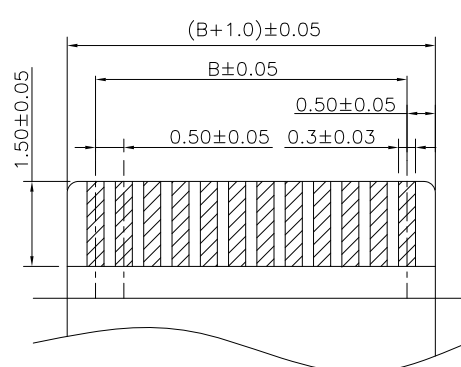


RECOMMENDED PCB LAYOUT  
TOLERANCE±0.05  
(N=CIRCUITS)



APPLICABLE FPC DIMENSION(REF)  
(THICKNESS 0.30±0.03)

Specifications:  
Housing: LCP UL94-V0 Color: Nature  
Cove: LCP UL94-V0 Color: Black  
Contact: Phosphor Bronze  
Operating Voltage: 50V AC/DC  
Current Rating: 0.5A AC/DC  
Withstand Voltage: 250V AC/Minute  
Contact Resistance: ≤20mΩ  
Insulation resistance: ≥100MΩ  
Operating Temperature: -25°C ~ +85°C

PIN	A	B	C	D	PIN	A	B	C	D
4	4.00	1.50	2.60	3.37	33	18.50	16.00	17.10	17.87
5	4.50	2.00	3.10	3.87	34	19.00	16.50	17.60	18.37
6	5.00	2.50	3.60	4.37	35	19.50	17.00	18.10	18.87
7	5.50	3.00	4.10	4.87	36	20.00	17.50	18.60	19.37
8	6.00	3.50	4.60	5.37	37	20.50	18.00	19.10	19.87
9	6.50	4.00	5.10	5.87	38	21.00	18.50	19.60	20.37
10	7.00	4.50	5.60	6.37	39	21.50	19.00	20.10	20.87
11	7.50	5.00	6.10	6.87	40	22.00	19.50	20.60	21.37
12	8.00	5.50	6.60	7.37	41	22.50	20.00	21.10	21.87
13	8.50	6.00	7.10	7.87	42	23.00	20.50	21.60	22.37
14	9.00	6.50	7.60	8.37	43	23.50	21.00	22.10	22.87
15	9.50	7.00	8.10	8.87	44	24.00	21.50	22.60	23.37
16	10.00	7.50	8.60	9.37	45	24.50	22.00	23.10	23.87
17	10.50	8.00	9.10	9.87	46	25.00	22.50	23.60	24.37
18	11.00	8.50	9.60	10.37	47	25.50	23.00	24.10	24.87
19	11.50	9.00	10.10	10.87	48	26.00	23.50	24.60	25.37
20	12.00	9.50	10.60	11.37	49	26.50	24.00	25.10	25.87
21	12.50	10.00	11.10	11.87	50	27.00	24.50	25.60	26.37
22	13.00	10.50	11.60	12.37	51	27.50	25.00	26.10	26.87
23	13.50	11.00	12.10	12.87	52	28.00	25.50	26.60	27.37
24	14.00	11.50	12.60	13.37	53	28.50	26.00	27.10	27.87
25	14.50	12.00	13.10	13.87	54	29.00	26.50	27.60	28.37
26	15.00	12.50	13.60	14.37	55	29.50	27.00	28.10	28.87
27	15.50	13.00	14.10	14.87	56	30.00	27.50	28.60	29.37
28	16.00	13.50	14.60	15.37	57	30.50	28.00	29.10	29.87
29	16.50	14.00	15.10	15.87	58	31.00	28.50	29.60	30.37
30	17.00	14.50	15.60	16.37	59	31.50	29.00	30.10	30.87
31	17.50	15.00	16.10	16.87	60	32.00	29.50	30.60	31.37
32	18.00	15.50	16.60	17.37					

<b>一般公差</b> TOLERANCES X ±0.40 .XX ±0.20 .X ±0.30 .XXX ±0.10 ANGLES ±2°		<b>深圳市宏利电子有限公司</b> Shenzhen Holy Electronic Co.,Ltd	
<b>检验尺寸标示</b> SYMBOLS Ⓢ Ⓣ INDICATE CLASSIFICATION DIMENSION Ⓢ MARK IS CRITICAL DIM. Ⓣ MARK IS MAJOR DIM.	<b>工程图号</b> FPC0510HX-nP	<b>制图 (DR)</b> '10/03/22 <b>审核 (CHKD)</b> Rigo Lu	
<b>品名</b> FPC0.5mm -nP H1.0mm 前插后掀	<b>标题 (APPD)</b> Rigo Lu		
<b>TITLE</b> FPC0.5mm Pitch H=1.0 Easy-on Back-Flip ZIF CONN	<b>比例 (SCALE)</b> 1:1	<b>单位 (UNITS)</b> mm	<b>张数 (SHEET)</b> 1 OF 1
<b>表面处理 (FINISH)</b>		<b>SIZE</b> A4	<b>REV</b> 0

REV	REVISION DESCRIPTION	DATE	SIGNATURE